

Product title:

# RECTANGULAR SECTION RINGS FOR HOLES M23LE7776

Product image:

Product price:

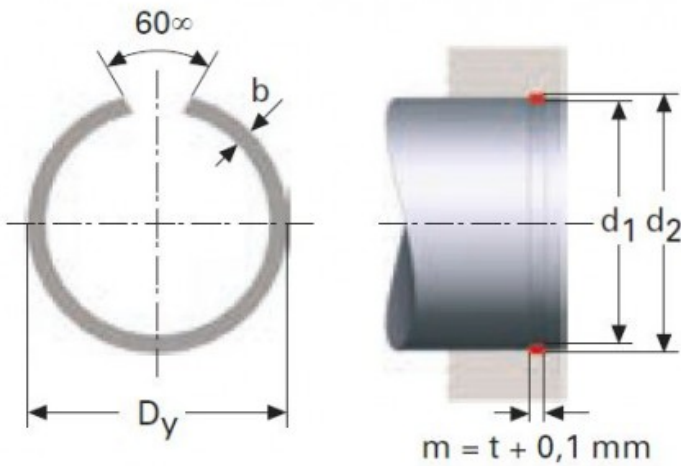
**€6.48**

Product short description:

RECTANGULAR SECTION RINGS FOR HOLES  
M23LE7776

Product features:

WIDTH (t): 1.2  
OUTSIDE DIAMETER (Dy): 23  
SHAFT DIAMETER (d1): 22  
WIDE (b): 1.75  
HOLE GROOVE DIAMETER (d2): 22.6



Product description:

RECTANGULAR SECTION RINGS FOR HOLES RSB

The rectangular cross-section of these retaining rings allows.

for higher loads than the round wire alternatives.

All dimensions are in mm.

Raw material steel CK 67.

Phosphated & slightly oiled.