

Product title:

# RECTANGULAR SECTION RINGS FOR SHAFTS

## RSW M23LE7760

Product image:

Product price:

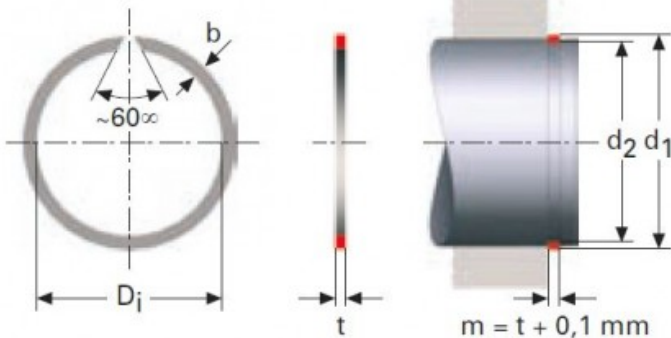
**€15.04**

Product short description:

RECTANGULAR SECTION RINGS FOR SHAFTS RSW

Product features:

WIDTH (t): 2  
INSIDE DIAMETER: 72.4  
SHAFT DIAMETER (d1): 75  
WIDE (b): 2.8  
SHAFT GROOVE DIAMETER (d2): 73.2



Product description:

RECTANGULAR SECTION RINGS FOR SHAFTS RSW

The rectangular cross-section of these retaining rings allows.

for higher loads than the round wire alternatives.

All dimensions are in mm.

Raw material steel CK 67.

Phosphated &amp; slightly oiled.