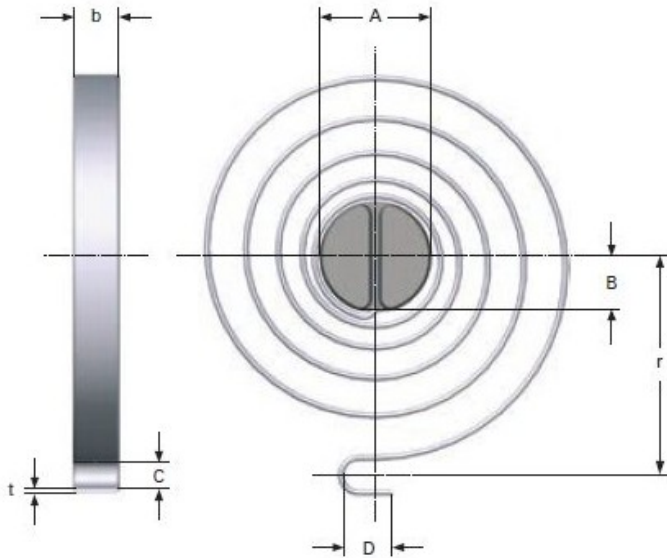


Product title:

CLOCK SPRING M20LE905

Product image:



Product price:

€26.00

Product short description:

CLOCK SPRING

Product features:

TOTAL COILS: 5
RAW MATERIAL THICKNESS: 0.6
BAND WIDTH: 6
SHAFT DIAMETER: 8
LEG LENGTH: 3
TAIL WIDTH: 3.2
CENTER RADIO SPRING UNTIL FIXATION: 16
LONG TAIL HITCH: 4.5
RATE PER DEGREE OF TORQUE: 1.35
MAXIMUM TORQUE Nmm (10000): 562
100000 CYCLES MAX. AT TORQUE ANGLE: 332
MAXIMUM TORQUE Nmm (100000): 449
10005 CICLOS MAX. EN ANGULO DE TORSION: 416

Product description:

Clock springs made of stainless material according to EN 10270-3-1.4310

rounded edges to improve fatigue.

All dimensions are in mm