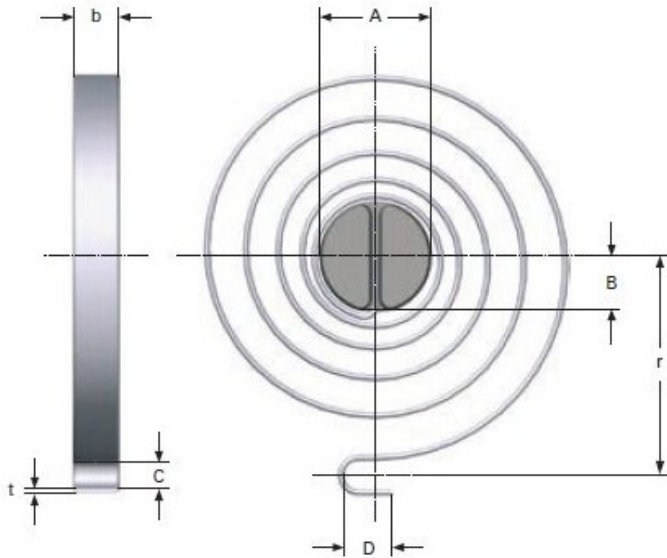


Product title:

CLOCK SPRING M20LE900

Product image:



Product price:

€22.00

Product short description:

CLOCK SPRING

Product features:

TOTAL COILS: 5
RAW MATERIAL THICKNESS: 0.5
BAND WIDTH: 3
SHAFT DIAMETER: 7
LEG LENGTH: 2.5
TAIL WIDTH: 2.7
CENTER RADIO SPRING UNTIL FIXATION: 13
LONG TAIL HITCH: 3.5
RATE PER DEGREE OF TORQUE: 0.56
10000 CYCLES MAX. AT TORQUE ANGLE: 354
MAXIMUM TORQUE Nmm (10000): 198
100000 CYCLES MAX. AT TORQUE ANGLE: 284
MAXIMUM TORQUE Nmm (100000): 158

Product description:

Clock springs made of stainless material according to EN 10270-3-1.4310

rounded edges to improve fatigue.

All dimensions are in mm