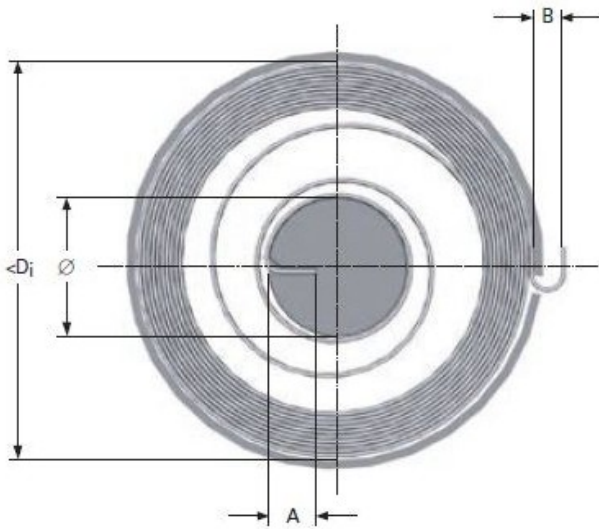


Product title:

**MOTOR SPRING M16LE61728**

Product image:

Product price:

**€367.84**

Product short description:

MOTOR SPRING M16LE61728

Product features:

INSIDE DIAMETER: 136  
TOTAL COILS: 20  
RAW MATERIAL THICKNESS: 0.47  
BAND WIDTH: 12  
SHAFT DIAMETER: 20  
LEG LENGTH: 6  
TORQUE: 300  
MAXIMUM TORQUE: 960  
TAIL WIDTH: 6