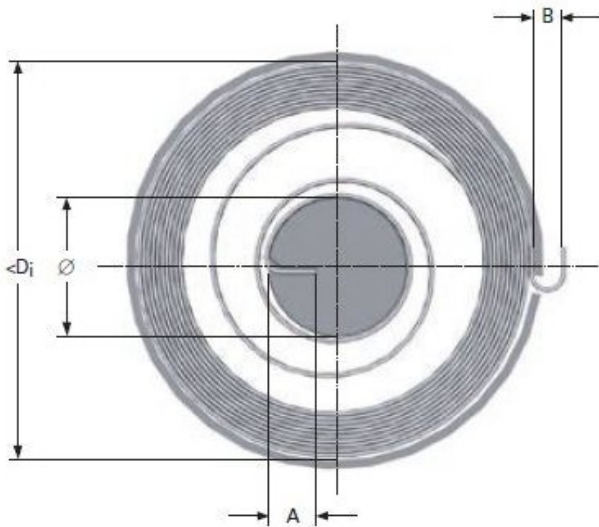


Product title:

# MOTOR SPRING M16LE61700

Product image:



Product price:

**€111.32**

Product short description:

MOTOR SPRING M16LE61700

Product features:

INSIDE DIAMETER: 55  
TOTAL COILS: 10  
RAW MATERIAL THICKNESS: 0.28  
BAND WIDTH: 8  
SHAFT DIAMETER: 12  
LEG LENGTH: 3  
TORQUE: 90  
MAXIMUM TORQUE: 230  
TAIL WIDTH: 4

Product description:

Motor springs for circular movement of 10 and 20 coils