

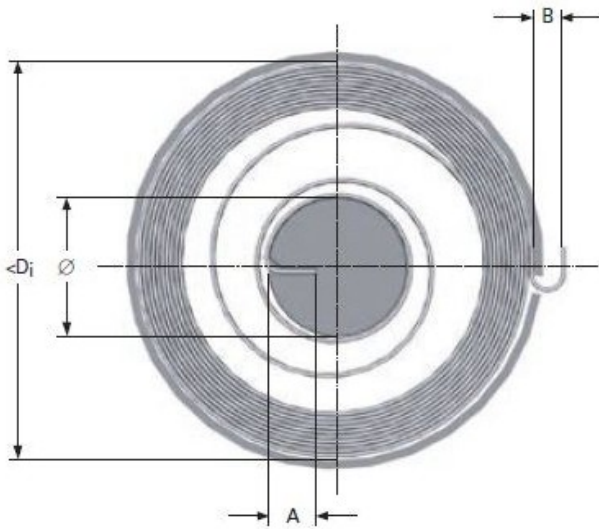
Product title:

MOTOR SPRING M16LE8979

Product image:

Product price:

€267.32



Product short description:

MOTOR SPRING M16LE8979

Product features:

INSIDE DIAMETER: 145
TOTAL COILS: 10
RAW MATERIAL THICKNESS: 1
BAND WIDTH: 20
SHAFT DIAMETER: 30
LEG LENGTH: 8
TORQUE: 766
MAXIMUM TORQUE: 3110
TAIL WIDTH: 8